



**IDC5**  
SOFTWARE  
UPDATE

# CAR 76.6.0



April 2024

# IDC5 CAR 76.6.0

The **IDC5 CAR 76.6.0** software update includes, once again, a large number of developments, the best of TEXA's multi-brand diagnosis dedicated to cars and light commercial vehicles. Using IDC5 CAR during your daily workshop activities means having an avant-garde solution, rich in new diagnostic possibilities, special functions and technical information that are essential for completing even the most complex workshop operations professionally and with full customer satisfaction.

IDC5 CAR 76.6.0 includes the update of as many as 50 makes. The work of TEXA's technical developers also led to further increasing the coverage of the ADAS, electric and hybrid vehicles, interactive "DASHBOARD" screens with over 110 new possible selections, and wiring diagrams.

IDC5 CAR 76.6.0 is characterised by over 5100 new possible selections for the major makes on the market worldwide, among which: **ABARTH, ACURA, ALFA ROMEO, ASTON MARTIN, AUDI, BENTLEY, BMW, BUICK, BYD, CADILLAC, CHERY, CHEVROLET, CHRYSLER, CITROËN, CUPRA, DACIA, DAIHATSU, DATSUN, DODGE, DR, DS, EVO, FERRARI, FIAT, FISHER, FORD, GENESIS, GMC, GREAT WALL, HOLDEN, HONDA, HUMMER, HYUNDAI, INEOS, INFINITI, ISUZU, JAGUAR, JEEP, KG MOBILITY, KIA, LADA, LANCIA, LAND ROVER, LAMBORGHINI, LDV, LEXUS, LINCOLN, LYNK & CO, MAXUS, MAYBACH, MASERATI, MAZDA, MCLAREN, MERCEDES-BENZ, MERCURY FORD, MG, MINI, MITSUBISHI, NISSAN, OPEL, PEUGEOT, POLESTAR, PONTIAC, PORSCHE, RAVON, RENAULT, RENAULT SAMSUNG, ROEWE, ROLLS-ROYCE, SAAB, SATURN, SCION, SEAT, SKODA, SMART, SSANGYONG, SUBARU, SUZUKI, TATA, TESLA, TOYOTA, TROLLER, UAZ, VENUZIA, VOLKSWAGEN, VOLVO.**

To learn more about the extraordinary coverage made available by TEXA, visit the website:

**[www.texa.com/coverage](http://www.texa.com/coverage)**

## LATEST IDC5 CAR VERSION UPDATE

In the "Latest version application list" section users can find the updates related to the diagnostic coverage available in the IDC5 CAR software (Image 1).

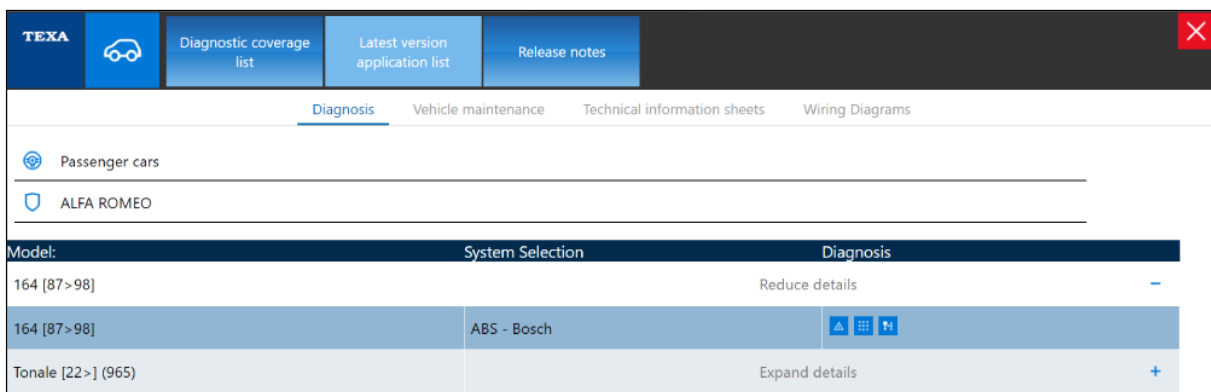


Image 1 - News section in IDC5.

**NOTE:** For further information see our website [WWW.TEXA.COM](http://WWW.TEXA.COM) in the DIAGNOSTIC COVERAGE section.

**NEW FEATURES INCLUDED IN THE IDC5 CAR 76.6.0 VERSION****ADAS DEVELOPMENTS AND IMPLEMENTATIONS: RCCS 3 EVO****NEW DISPLAY OF THE ADAS SHEETS FOR RCCS 3 EVO****DIAGNOSTIC DASHBOARDS AND TGS3 DASHBOARDS****DIAGNOSIS****ADAS DEVELOPMENTS AND IMPLEMENTATIONS: RCCS 3 EVO**

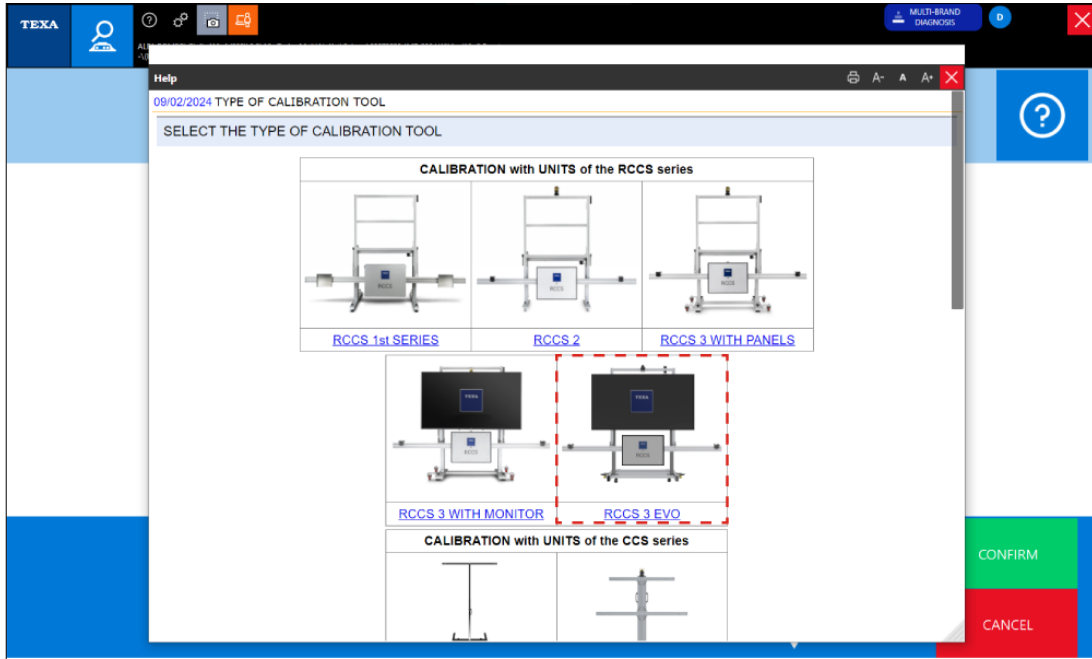
Starting from the IDC5 CAR 76.6.0 software version, it will be possible to calibrate the front camera and the radar using a new calibration unit called RCCS 3 EVO.



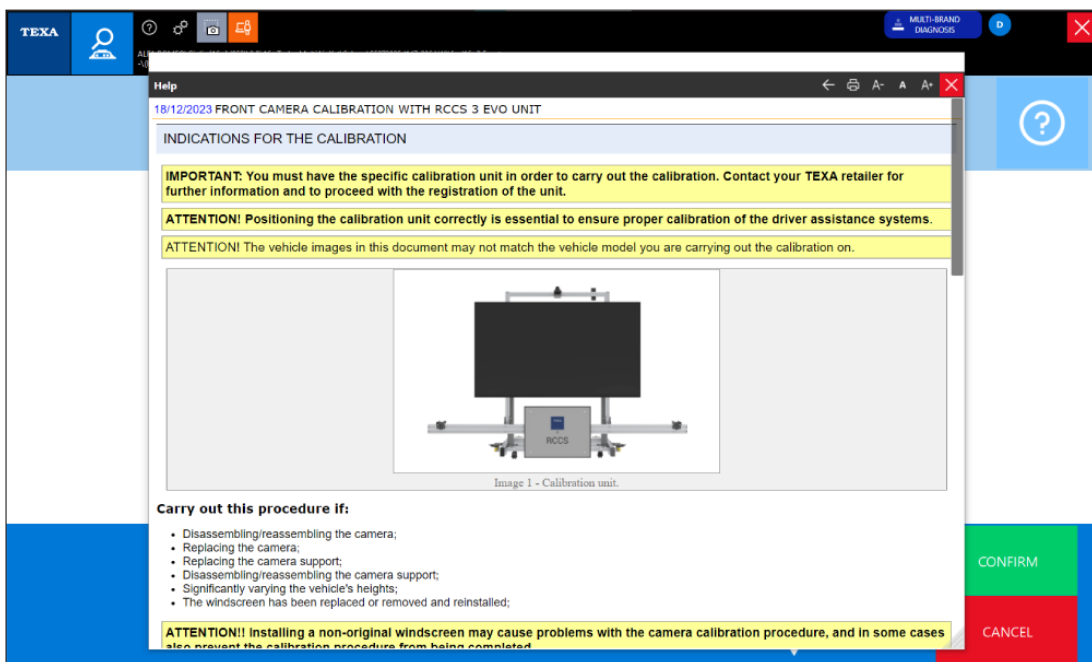
## NEW DISPLAY OF THE ADAS SHEETS FOR RCCS 3 EVO

The IDC5 CAR 76.6.0 software update includes the display of the ADAS sheets relating to the new RCCS 3 EVO unit.

Below are a few example images:



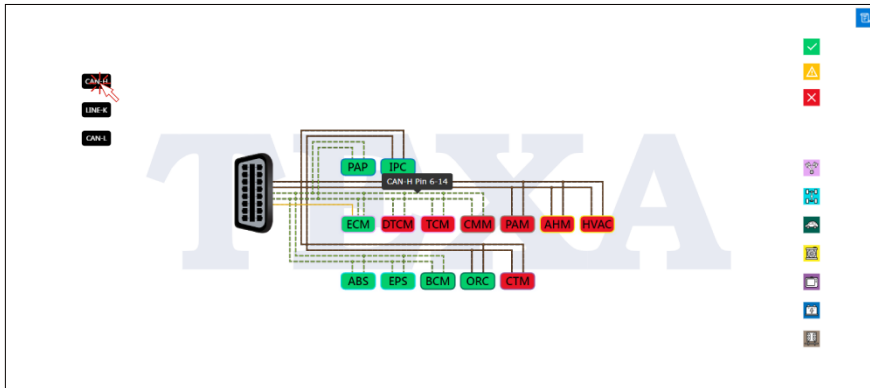
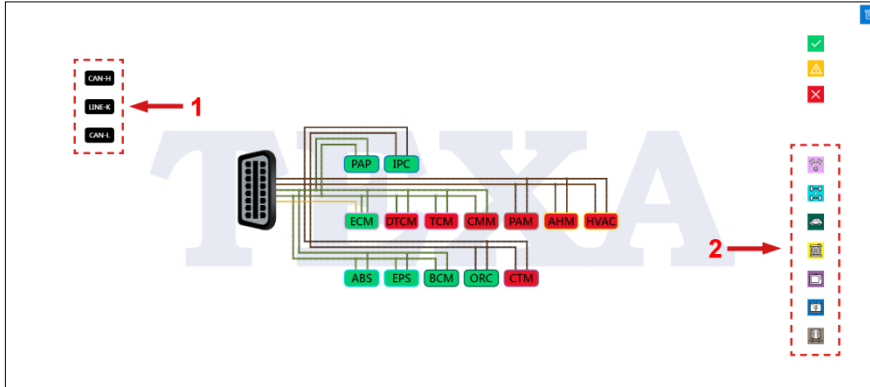
The image below shows an example of display of the ADAS sheets referring to the new unit previously selected (RCCS 3 EVO):



## DIAGNOSTIC DASHBOARDS AND TGS3 DASHBOARDS

New functions have been added to the TGS3 DASHBOARDS: icons to identify the connection lines for the various control units (1) and icons to identify the groups of control units in the vehicle (2) (Powertrain, Chassis, Body, Comfort, Infotainment, Electric System, etc.).

Below are a few example images:



New PARAMETER DASHBOARDS for hybrid and electric vehicles.

Coolant temperature	43	°C
Direct current converter (DC/DC) coolant temperature sensor signal	37.27	°C
DC-link capacitor temperature	42.77	°C
Electrical machine temperature	46.73	°C

Power electronics heat sink temperature	37.98	°C
Rotor temperature	46.05	°C
Electric drive motor stator temperature	46.47	°C
DC/DC converter power module temperature	37.97	°C

DC/DC converter output current sensor	27.38	A
Stator current - actual value	0.56	A
Electric motor current actual value	0.69	A
DC/DC converter intermediate circuit voltage	359.38	V
Power electronics intermediate circuit voltage	360.00	V
Electric motor insulation voltage	500.00	V

Electric motor speed: 0 rpm

Actual torque: 0.00 Nm

## DIAGNOSIS

### CAR

#### **ABARTH**

A new diagnostic system has been developed for the model 500e [23>] (332):

- FRONT CAMERA

#### **ACURA**

A new diagnosis of the PARK ASSIST CAMERA system has been developed for the models:

- TLX [20>] (UB)
- MDX [21>] (YE)
- TLX L [17>20] (UB)
- MDX [14>20] (YD)
- RDX [19>] (TC)
- TLX [14>20] (UB)

A new diagnostic system has been developed for the model TSX [09>14] (CU):

- PETROL INJECTION

#### **ALFA ROMEO**

A new diagnostic system has been developed for the model Tonale [22>] (965):

- DIESEL INJECTION

#### **AUDI**

A new diagnosis of the AUTOMATIC TRANSMISSION system has been developed for the models:

- A1 [19>] (GBA) Sportback
- A1 [20>] (GBH) Citycarver
- A3 [12>20] (8V1/8VK)
- A3 [14>20] (8VS/8VM) Sedan
- Q2 [16>] (GAB/GAG)
- Q3 [19>] (F3B)
- RSQ3 [19>] (F3B)
- TT [14>23] (8S3) Coupé
- TT [14>23] (8S3) S Coupé

#### **BMW**

A new diagnosis of the AUTOMATIC TRANSMISSION system has been developed for the models:

- 1 [04>11] (E87)
- 2 [15>21] (F87)
- 4 [14>20] (F82) Coupé



# CAR 76.6.0



- 4 [20>] (G22) Coupé
- 5 [03>10] (E60)
- 5 [04>10] (E61) Touring
- X3 [04>10] (E83)
- X6 [08>14] (E71)

A new diagnosis of the ABS has been developed for the models:

- 3 [21>] (G80)
- 4 [20>] (G22) Coupé
- X5 [20>] (F95)
- X6 [19>] (G06)

A new diagnosis of the AIRBAG system has been developed for the models:

- 3 [21>] (G80)
- 4 [20>] (G22) Coupé
- 5 [23>] (G60)
- X5 [20>] (F95)
- X6 [19>] (G06)

A new diagnosis of the RADAR SENSOR CONTROL UNIT system has been developed for the models:

- X5 [20>] (F95)
- X6 [19>] (G06)

A new diagnosis of the DISTANCE CONTROL system has been developed for the models:

- 3 [21>] (G80)
- 4 [20>] (G22) Coupé
- X5 [20>] (F95)
- X6 [19>] (G06)

A new diagnosis of the DC/DC CONVERTER system has been developed for the models:

- 4 [20>] (G22) Coupé
- X6 [19>] (G06)
- X6 [20>] (F96)

A new diagnosis of the MULTIFUNCTION CAMERA system has been developed for the models:

- 3 [21>] (G80)
- 4 [20>] (G22) Coupé
- 5 [23>] (G60)
- X5 [20>] (F95)
- X6 [19>] (G06)
- X6 [20>] (F96)



# CAR 76.6.0



## **BYD**

A new diagnosis of the BLIND SPOT MODULE system has been developed for the models:

- Atto 3 [22>]

## **CADILLAC**

A new diagnosis of the AUTOMATIC TRANSMISSION system has been developed for the models:

- Escalade [21>]
- Escalade ESV [21>]
- CT5 [20>]

A new diagnosis of the DIESEL INJECTION system has been developed for the models:

- Escalade [21>]
- Escalade ESV [21>]

A new diagnostic system has been developed for the model Lyriq [23>]:

- ABS
- PARK ASSIST

A new diagnosis of the INFOTAINMENT INTERFACE system has been developed for the models:

- Escalade [21>]
- Escalade ESV [21>]
- CT5 [20>]
- CT4 [20>]
- Lyriq [23>]

## **CHERY**

A new diagnostic system has been developed for the model Tiggo 8 Pro/Plus [20>]:

- INSTRUMENTATION

## **CHEVROLET**

A new diagnostic system has been developed for the model Silverado 1500 [19>21]:

- PETROL INJECTION

A new diagnosis of the DIESEL INJECTION system has been developed for the models:

- Silverado 1500 [19>21]
- Silverado 1500 [22>] Facelift
- Silverado 2500/3500 [24>] Facelift
- Suburban [21>]
- Tahoe [21>]

A new diagnostic system has been developed for the model Silverado 1500 [22>] Facelift:

- ADAPTIVE CRUISE CONTROL





# CAR 76.6.0



- AIRBAG
- BODY COMPUTER
- GATEWAY
- PARK ASSIST
- RADIO
- LEFT SEAT BELT RETRACTOR
- RIGHT SEAT BELT RETRACTOR
- AUTOMATIC TRANSMISSION

## **CITROEN**

A new diagnostic system has been developed for the model C 3 [22>] (CC21):

- AIRBAG

A new diagnosis of the DIESEL INJECTION system has been developed for the models:

- Berlingo [18>] (K9)
- C 4 [20>] (C41)

A new diagnosis of the NAVIGATOR system has been developed for the models:

- C 4 [20>] (C41)
- C 4 X [22>] (C43)

## **DODGE**

A new diagnosis of the ELECTRONIC KEY system has been developed for the models:

- Challenger [08>14] (LC)
- Durango [11>] (WD)
- Grand Caravan [11>20] (RT)
- RAM 1500 [09>19] (DS)

A new diagnostic system has been developed for the model RAM Rampage [23>]:

- PARK ASSIST
- AUTOMATIC TRANSMISSION
- CENTRAL CONSOLE CONTROLS
- PETROL INJECTION

## **DR**

A new diagnostic system has been developed for the model DR7.0 [22>]:

- AIRBAG
- BODY COMPUTER
- AUTOMATIC TRANSMISSION
- PETROL INJECTION
- TYRE PRESSURE
- POWER STEERING



# CAR 76.6.0



## **DS**

A new diagnosis of the NAVIGATOR system has been developed for the models:

- DS 3 Crossback [19>] (D34)
- DS 7 Crossback [18>] (X74)
- DS 9 [20>] (X83)

A new diagnosis of the BRAKE BOOSTER system has been developed for the models:

- DS 4 [21>] (D41)
- DS 9 [20>] (X83)

A new diagnostic system has been developed for the model DS 4 [15>18] (B75):

- PETROL INJECTION

A new diagnostic system has been developed for the model DS 4 [21>] (D41):

- DIESEL INJECTION

## **FIAT**

A new diagnosis of the AUTOMATIC TRANSMISSION system has been developed for the models:

- Argo [17>] (358)
- Cronos [17>] (359)
- Fastback [22>]
- Pulse [21>] (363)
- Strada II [20>] (281)

A new diagnostic system has been developed for the model 500X [15>] (334):

- BODY COMPUTER
- TYRE PRESSURE

A new diagnostic system has been developed for the model Fiorino [22>] (265) Facelift:

- ABS
- AIRBAG
- BODY COMPUTER
- FLEX FUEL INJECTION
- TYRE PRESSURE
- SGW SECURITY GATEWAY MODULE
- INSTRUMENTATION

## **FORD**

A new diagnosis of the FOUR-WHEEL DRIVE system has been developed for the models:

- Endeavour [23>] (U704)
- Everest [23>] (U704)
- F-Series Super Duty [23>] (P708)



# CAR 76.6.0



- Ranger [22>] (P703)

A new diagnosis of the LEFT SIDE OBSTACLE DETECTION CONTROL UNIT system has been developed for the models:

- Escape IV [19>] (CX482)
- Expedition IV [17>] (U553)
- Explorer VI [19>] (U625)
- Kuga III [19>] (CX482)
- Mustang VII [23>] (S650) Cabrio
- Mustang VII [23>] (S650) Coupé

A new diagnosis of the RIGHT SIDE OBSTACLE DETECTION CONTROL UNIT system has been developed for the models:

- Escape IV [19>] (CX482)
- Expedition IV [17>] (U553)
- Explorer VI [19>] (U625)
- Kuga III [19>] (CX482)
- Mustang VII [23>] (S650) Cabrio
- Mustang VII [23>] (S650) Coupé

A new diagnostic system has been developed for the model Ranger [15>23] (P375) Facelift:

- DIGITAL RADIO TUNER

## **GENESIS**

A new diagnosis of the OCCUPIED SEAT DETECTION system has been developed for the models:

- G90 [22>] (RS4)
- GV60 [22>] (JW1)
- GV70 [20>] (JK1)

A new diagnosis of the OCCUPIED SEAT DETECTION system has been developed for the models:

- G80 [20>] (RG3)
- G90 [22>] (RS4)
- GV80 [20>] (JX1)

## **GMC**

A new diagnosis of the DIESEL INJECTION system has been developed for the models:

- Sierra 1500 [19>21]
- Sierra 1500 [22>] Facelift
- Sierra 2500/3500 [24>] Facelift
- Yukon [21>]
- Yukon XL [21>]



# CAR 76.6.0



## **GREAT WALL**

A new diagnostic system has been developed for the model Haval H6 [21>]:

- AIRBAG
- PETROL INJECTION
- AUTOMATIC TRANSMISSION
- RIGHT BLIND SPOT MODULE
- LEFT BLIND SPOT MODULE

## **HOLDEN**

A new diagnosis of the ABS has been developed for the models:

- Acadia [19>]
- Caprice [14>]
- Commodore [14>]
- Equinox [18>]

## **HONDA**

A new diagnostic system has been developed for the model Civic X [16>21] (FC/FK) Sedan:

- FORWARD SENSING MODULE

A new diagnostic system has been developed for the model CR-V [23>] (RS):

- FRONT CAMERA

A new diagnostic system has been developed for the model Civic XI [21>] (FL) Hatchback:

- ABS
- AIRBAG
- AUTOMATIC TRANSMISSION
- FORWARD SENSING MODULE
- A/C
- GATEWAY
- PETROL INJECTION
- INSTRUMENTATION
- POWER STEERING

A new diagnostic system has been developed for the model e:Ny1 [23>] (RS1):

- PARK ASSIST
- ELECTRIC MOTOR CONTROL UNIT
- A/C
- EV CONTROL SYSTEM
- GATEWAY
- BATTERY CONTROL MODULE
- INSTRUMENTATION
- PARKING AID CAMERAS



# CAR 76.6.0



A new diagnostic system has been developed for the model ZR-V [23>] (RZ):

- ABS
- AIRBAG
- A/C
- GATEWAY
- HEAD-UP DISPLAY
- PETROL INJECTION
- POWERTRAIN SYSTEM
- INSTRUMENTATION
- POWER STEERING

## **HYUNDAI**

A new diagnostic system has been developed for the model Azera [23>] (GN7):

- RADIO
- DRIVER SIDE SEAT ADJUSTMENT
- PASSENGER SIDE SEAT ADJUSTMENT
- DRIVER SIDE SEAT LUMBAR MASSAGE FUNCTION ADJUSTMENT

A new diagnostic system has been developed for the model Grandeur [23>] (GN7):

- RADIO
- DRIVER SIDE SEAT ADJUSTMENT
- PASSENGER SIDE SEAT ADJUSTMENT
- DRIVER SIDE SEAT LUMBAR MASSAGE FUNCTION ADJUSTMENT

A new diagnostic system has been developed for the model i10 [23>] (AC3) Facelift:

- AUTOMATIC TRANSMISSION

A new diagnostic system has been developed for the model Ioniq 6 [22>] (CE):

- EV CONTROL SYSTEM
- HEADLIGHT ADJUSTMENT
- DRIVER SIDE SEAT ADJUSTMENT
- PASSENGER SIDE SEAT ADJUSTMENT

A new diagnostic system has been developed for the model Kauai [23>] (SX):

- RADIO
- DRIVER SIDE SEAT ADJUSTMENT
- PASSENGER SIDE SEAT ADJUSTMENT
- DRIVER SIDE SEAT LUMBAR MASSAGE FUNCTION ADJUSTMENT

A new diagnostic system has been developed for the model Kona [23>] (SX):

- RADIO
- DRIVER SIDE SEAT ADJUSTMENT



# CAR 76.6.0



- PASSENGER SIDE SEAT ADJUSTMENT
- DRIVER SIDE SEAT LUMBAR MASSAGE FUNCTION ADJUSTMENT

A new diagnostic system has been developed for the model Santa Fe [23>] (MX5):

- RADIO
- AUTOMATIC TRANSMISSION
- DRIVER SIDE SEAT ADJUSTMENT
- PASSENGER SIDE SEAT ADJUSTMENT
- REAR SEAT HEATING
- SAFETY PEDESTRIAN IMPACT
- DRIVER'S ID SYSTEM

A new diagnostic system has been developed for the model Sonata VIII [23>] (DN8) Facelift:

- DRIVER SIDE SEAT ADJUSTMENT
- PASSENGER SIDE SEAT ADJUSTMENT
- REAR SEAT HEATING
- INTERIOR LIGHT CONTROL UNITS

## **INFINITI**

A new diagnostic system has been developed for the model Q60 [16>] (CV37) Coupé:

- GATEWAY
- BATTERY CONTROL MODULE
- FRONT CAMERA
- SAFETY PEDESTRIAN IMPACT
- MULTI-FUNCTION DISPLAY

A new diagnostic system has been developed for the model QX55 [21>] (J55) Coupé:

- FRONT CAMERA

## **JEEP**

A new diagnosis of the DUSK SENSOR system has been developed for the models:

- Avenger [23>]

A new diagnosis of the POWER STEERING system has been developed for the models:

- Grand Cherokee [21>] (WL)
- Grand Wagoneer [22>] (WS)
- Wagoneer [22>] (WS)

A new diagnosis of the STEERING LOCK system has been developed for the models:

- Grand Cherokee [21>] (WL)
- Grand Wagoneer [22>] (WS)
- Wagoneer [22>] (WS)



# CAR 76.6.0



A new diagnostic system has been developed for the model Grand Cherokee [21>] (WL):

- GEAR SELECTOR LEVER
- POWER STEERING

A new diagnostic system has been developed for the model Grand Wagoneer [22>] (WS):

- GEAR SELECTOR LEVER
- POWER STEERING

## **KG MOBILITY**

A new diagnosis of the A/C system has been developed for the models:

- Torres [23>] (J100)

## **KIA**

A new diagnostic system has been developed for the model EV9 [23>] (MV):

- APPROACHING VEHICLE SOUND FOR PEDESTRIANS
- EV CONTROL SYSTEM
- DRIVER SIDE SEAT ADJUSTMENT
- PASSENGER SIDE SEAT ADJUSTMENT
- SAFETY PEDESTRIAN IMPACT

## **LEXUS**

A new diagnosis of the RADAR system has been developed for the models:

- LC (Z1) 500 [17>]
- LC (Z1) 500c [20>]
- LC (Z1) 500h [17>]

A new diagnosis of the FRONT CORNER RADAR 1 system has been developed for the models:

- LM (H3) 300h [19>]
- LM (H3) 350 [19>]

A new diagnosis of the FRONT CORNER RADAR 2 system has been developed for the models:

- LM (H3) 300h [19>]
- LM (H3) 350 [19>]

## **LINCOLN**

A new diagnosis of the RIGHT SIDE OBSTACLE DETECTION CONTROL UNIT system has been developed for the models:

- Aviator [19>] (U611)
- Corsair [19>] (CX483)
- Navigator IV [17>] (U554)
- Navigator IV L [17>] (U554)



# CAR 76.6.0



A new diagnosis of the LEFT SIDE OBSTACLE DETECTION CONTROL UNIT system has been developed for the models:

- Aviator [19>] (U611)
- Corsair [19>] (CX483)
- Navigator IV [17>] (U554)
- Navigator IV L [17>] (U554)

## **MAXUS**

A new diagnostic system has been developed for the model T90 [21>]:

- GATEWAY
- FRONT CAMERA
- KEYLESS GO SYSTEM

## **MAZDA**

A new diagnosis of the FOUR-WHEEL DRIVE system has been developed for the models:

- CX-3 [17>] (DK) Facelift
- CX-4 [17>] (GK)
- Mazda6 [12>16] (GJ)
- Mazda6 [12>16] (GJ) Station Wagon
- Mazda6 [16>] (GL)
- Mazda6 [16>] (GL) Station Wagon

A new diagnostic system has been developed for the model Mazda2 [07>14] (DE):

- DIESEL INJECTION

A new diagnostic system has been developed for the model CX-60 [22>] (KH):

- HEADLIGHT ADJUSTMENT

## **MERCEDES-BENZ**

A new diagnosis of the ABS has been developed for the models:

- AMG GT [23>] (192) Coupé
- E [23>] (214)
- E [23>] (214) T
- GLC [23>] (254) Coupé
- GLE [19>] (167)
- GLE [20>] (167) Coupé

A new diagnosis of the AUTOMATIC TRANSMISSION system has been developed for the models:

- AMG GT [23>] (192) Coupé
- CLE [23>] (236) Coupé
- E [23>] (214)
- E [23>] (214) T





# CAR 76.6.0



- GLC [23>] (254) Coupé
- GLE [19>] (167)

A new diagnosis of the MULTIFUNCTION CAMERA system has been developed for the models:

- AMG GT [23>] (192) Coupé
- CLE [23>] (236) Coupé
- E [23>] (214)
- E [23>] (214) L
- EQA [21>] (243)
- EQB [21>] (243)
- GLC [23>] (254) Coupé
- GLE [19>] (167)
- GLE [20>] (167) Coupé

A new diagnosis of the PETROL INJECTION system has been developed for the models:

- AMG GT [23>] (192) Coupé
- E [23>] (214)
- E [23>] (214) L
- GLC [23>] (254) Coupé
- GLE [19>] (167)
- GLE [20>] (167) Coupé

A new diagnosis of the DIESEL INJECTION system has been developed for the models:

- E [23>] (214)
- E [23>] (214) L
- E [23>] (214) T
- GLC [23>] (254) Coupé

A new diagnosis of the DC/DC CONVERTER system has been developed for the models:

- AMG GT [23>] (192) Coupé
- A [18>] (177)
- A [18>] (177) Sedan
- A [18>] (177) L Sedan
- B [19>] (247)
- CLA [19>] (118)
- E [23>] (214)
- E [23>] (214) L
- GLA [20>] (247)
- GLB [19>] (247)
- GLC [23>] (254) Coupé
- GLE [19>] (167)
- GLE [20>] (167) Coupé



# CAR 76.6.0



A new diagnosis of the CRUISE SPEED RADAR system has been developed for the models:

- AMG GT [23>] (192) Coupé
- CLE [23>] (236) Coupé
- E [23>] (214)
- E [23>] (214) L
- EQA [21>] (243)
- EQB [21>] (243)
- EQV [20>] (447)
- GLC [23>] (254) Coupé
- GLE [19>] (167)
- GLE [20>] (167) Coupé

A new diagnosis of the HYBRID SYSTEM has been developed for the models:

- AMG GT [23>] (192) Coupé
- E [23>] (214)
- E [23>] (214) L
- GLC [23>] (254) Coupé
- GLE [19>] (167)
- GLE [20>] (167) Coupé

## **MG**

A new diagnostic system has been developed for the model MG HS [18>] (AS23):

- AUTOMATIC TRANSMISSION

## **MINI**

A new diagnostic system has been developed for the model Mini (F57) [14>] Cabrio:

- ABS
- AIRBAG
- HYBRID BATTERY
- BODY COMPUTER
- A/C
- GATEWAY
- BATTERY ADJUSTMENT
- MULTIFUNCTION CAMERA
- ELECTRIC DRIVE

A new diagnostic system has been developed for the model Mini (F60) [17>23] Countryman:

- AUTOMATIC TRANSMISSION

A new diagnostic system has been developed for the model Mini (U25) [24>] Countryman:

- AIRBAG
- BODY COMPUTER



# CAR 76.6.0



- PETROL INJECTION
- DIESEL INJECTION
- MULTIFUNCTION CAMERA
- TELEMATIC CONTROL UNIT
- STABILITY SENSORS
- PARKING AID CAMERAS

## **NISSAN:**

A new diagnostic system has been developed for the model Frontier [04>20] (D40):

- FOUR-WHEEL DRIVE

A new diagnostic system has been developed for the model NV200 [09>21]:

- AUTOMATIC TRANSMISSION

A new diagnostic system has been developed for the model Sentra [20>] (B18):

- FRONT CAMERA

## **OPEL**

A new diagnostic system has been developed for the model Astra-L [22>]:

- BRAKE BOOSTER
- DIESEL INJECTION
- DRIVER SIDE DOOR

A new diagnosis of the DIESEL INJECTION system has been developed for the models:

- Combo-E Life [18>]
- Mokka [21>]

A new diagnosis of the NAVIGATOR system has been developed for the models:

- Corsa-F [19>]
- Mokka [21>]

## **PEUGEOT**

A new diagnosis of the NAVIGATOR system has been developed for the models:

- 208 [19>] (P21)
- 408 [22>] (P54)
- 508 [18>] (R83)
- 508 [18>] (R83) Break

A new diagnostic system has been developed for the model 208 [19>] (P21):

- ABS
- AIRBAG
- BODY COMPUTER



# CAR 76.6.0



- AUTOMATIC TRANSMISSION
- A/C
- DISTANCE CONTROL
- DIESEL INJECTION
- NAVIGATOR
- BATTERY ADJUSTMENT

A new diagnostic system has been developed for the model 308 [21>] (P5):

- BRAKE BOOSTER
- DRIVER SIDE DOOR

## **RENAULT**

A new diagnostic system has been developed for the model Talisman [15>20] (KP/LP):

- ABS
- AIRBAG
- BODY COMPUTER
- HEAD-UP DISPLAY
- DIESEL INJECTION
- POWER STEERING
- STEERING WHEELS
- INSTRUMENTATION
- FRONT CAMERA
- SUSPENSIONS

## **ROEWE**

A new diagnosis of the AUTOMATIC TRANSMISSION system has been developed for the models:

- RX5 [16>] (AS22/AS24)
- RX5 Max [19>] (AS28)

## **SEAT**

A new diagnosis of the AUTOMATIC TRANSMISSION system has been developed for the models:

- Arona [17>] (KJ7)
- Ateca [16>] (KH)
- Ibiza [17>] (6F/KJ1)
- Leon [12>20] (5F1)
- Leon [12>20] (5F5) SC
- Leon [14>20] (5F88) X-Perience
- Tarraco [19>] (KN)

## **SKODA**

A new diagnosis of the AUTOMATIC TRANSMISSION system has been developed for the models:

- Octavia [13>19] (5E3)



# CAR 76.6.0



- Yeti [09>17] (5L7)
- Fabia [21>] (PJ3)
- Kamiq [19>] (NW4)
- Karoq [17>] (NU7)
- Kodiaq [17>] (NS7/NV7)
- Kushaq [21>] (PA1)
- Scala [19>] (NW1)

## **SSSANGYONG**

A new diagnosis of the A/C system has been developed for the models:

- Torres [22>23] (J100)

## **SUBARU**

A new diagnosis of the FRONT CAMERA system has been developed for the models:

- Ascent [18>] (WM)
- Crosstrek [24>] (GU)
- Evoltis [18>] (WM)
- Impreza [24>] (GU) Hatchback
- Legacy [20>] (BW)
- Outback [20>] (BT)

A new diagnosis of the STEERING ANGLE SENSOR system has been developed for the models:

- Crosstrek [24>] (GU)
- Impreza [24>] (GU) Hatchback

A new diagnosis of the MULTIFUNCTION CAMERA system has been developed for the models:

- Ascent [18>] (WM)
- Evoltis [18>] (WM)

## **TOYOTA**

A new diagnostic system has been developed for the model bZ4X [22>] (EA):

- FRONT CORNER RADAR 1
- FRONT CORNER RADAR 2

A new diagnostic system has been developed for the model RegiusAce [05>20] (H200):

- ABS
- AIRBAG
- PARK ASSIST
- BODY COMPUTER
- AUTOMATIC TRANSMISSION
- A/C
- GATEWAY



# CAR 76.6.0



- PETROL INJECTION
- DIESEL INJECTION
- POWER SOURCE CONTROL
- TYRE PRESSURE
- INSTRUMENTATION
- FRONT CAMERA
- PARKING AID CAMERAS

A new diagnostic system has been developed for the model Hi-Ace [05>19] (H200):

- PARK ASSIST
- BODY COMPUTER
- GATEWAY
- FRONT CAMERA
- PARKING AID CAMERAS

## **VOLKSWAGEN:**

A new diagnostic system has been developed for the model California T6.1 [19>22] (SH):

- DRIVER SIDE SLIDING DOOR
- PASSENGER SIDE SLIDING DOOR

A new diagnosis of the AUTOMATIC TRANSMISSION system has been developed for the models:

- Golf VII [12>20] (5G1/BC1)
- Jetta [18>] (BU3)
- Polo [17>] (AW1/AE1)
- Taigo [21>] (CS1)
- Taigun [21>] (CW1)
- Taos [21>] (CL1)
- T-Roc [17>] (A11/D11)

A new diagnostic system has been developed for the model T-Cross [19>] (C11/BF1):

- ABS
- AIRBAG
- PARK ASSIST
- STEERING LOCK
- AUTOMATIC TRANSMISSION
- LEFT HEADLIGHT CONTROL UNIT
- RIGHT HEADLIGHT CONTROL UNIT
- A/C
- DISTANCE CONTROL
- GATEWAY
- PETROL INJECTION
- SUSPENSIONS
- INSTRUMENTATION



# CAR 76.6.0



- MULTIFUNCTION CAMERA

A new diagnostic system has been developed for the model AmaroK [23>] (T1):

- FOUR-WHEEL DRIVE

## **VOLVO**

A new diagnosis of the GATEWAY system has been developed for the models:

- V60 II [18>]
- V60 II [19>] Cross Country
- V90 II [16>]
- V90 II [17>] Cross Country

A new diagnosis of the RADAR system has been developed for the models:

- V60 II [18>]
- V60 II [19>] Cross Country
- V90 II [16>]
- V90 II [17>] Cross Country

A new diagnosis of the FRONT CAMERA system has been developed for the models:

- V60 II [18>]
- V60 II [19>] Cross Country
- V90 II [16>]
- V90 II [17>] Cross Country

## **SUPERCAR**

## **FERRARI**

A new diagnosis of the ABS has been developed for the models:

- Portofino [17>] (F164)
- Portofino M [20>] (F164FL)
- Roma [20>] (F169)

A new diagnosis of the BODY COMPUTER system has been developed for the models:

- 488 [18>19] (F142MVS) Pista
- 488 [18>19] (F142MVS) Pista Spider
- 812 Superfast [17>] (F152M)
- 812 Superfast Competizione [21>] (F152MVS)
- GTC4Lusso [16>20] (F151M)
- GTC4Lusso T [17>20] (F151M)
- F12tdf [15>17] (F152)
- GTC4Lusso [16>20] (F151M)

- GTC4Lusso T [17>20] (F151M)
- F12tdf [15>17] (F152)

## **PORSCHE**

A new diagnostic system has been developed for the model Cayenne [18>] (9YA):

- ABS
- AIRBAG
- PETROL INJECTION
- FOUR-WHEEL DRIVE
- A/C
- AUTOMATIC TRANSMISSION
- GEAR SELECTOR LEVER
- MULTIFUNCTION CAMERA
- REAR-VIEW CAMERA
- FRONT CORNER RADAR 1
- FRONT CORNER RADAR 2
- TYRE PRESSURE
- DC/DC CONVERTER

## **ROLLS-ROYCE**

A new diagnostic system has been developed for the model Ghost [21>] (RR21):

- DRIVER SIDE REAR SEAT ADJUSTMENT
- PASSENGER SIDE REAR SEAT ADJUSTMENT

### **NOTICE FOR CUSTOMERS WHO OWN A Windows PC**

Dear Customers, to make the most of all the functions in the TEXA IDC5 diagnostic software, you need to update your Personal Computers to the latest version of the operating system Windows 10 or Windows 11.

### **OTHER NOTICES**

Please note that the software updates are not available for unsupported tools.

**For more information, please contact your trusted TEXA dealer.**

Please note that this document is confidential. Total or partial copying without authorisation by TEXA S.p.A. is forbidden. Data, descriptions and illustrations may vary with respect to those shown here. TEXA S.p.A. reserves the right to make changes of any kind to its products, without prior notice.